

TECHNICAL & SERVICE MANUAL

Series PLFY Ceiling Cassettes

R410A / R407C / R22

Indoor unit
[Model names]

[Service Ref.]

PLFY-P32VAM-E

PLFY-P32VAM-E.UK

PLFY-P40VAM-E

PLFY-P40VAM-E.UK

PLFY-P50VAM-E

PLFY-P50VAM-E.UK

PLFY-P63VAM-E

PLFY-P63VAM-E.UK

PLFY-P80VAM-E

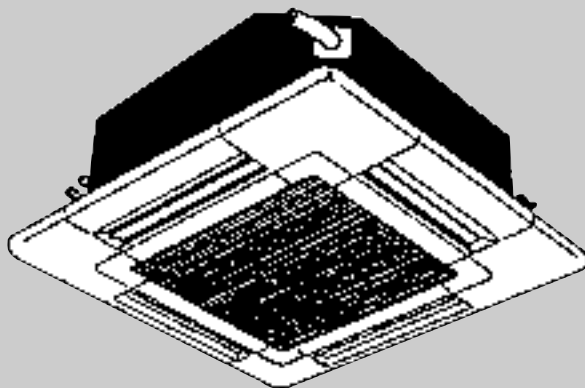
PLFY-P80VAM-E.UK

PLFY-P100VAM-E

PLFY-P100VAM-E.UK

PLFY-P125VAM-E

PLFY-P125VAM-E.UK



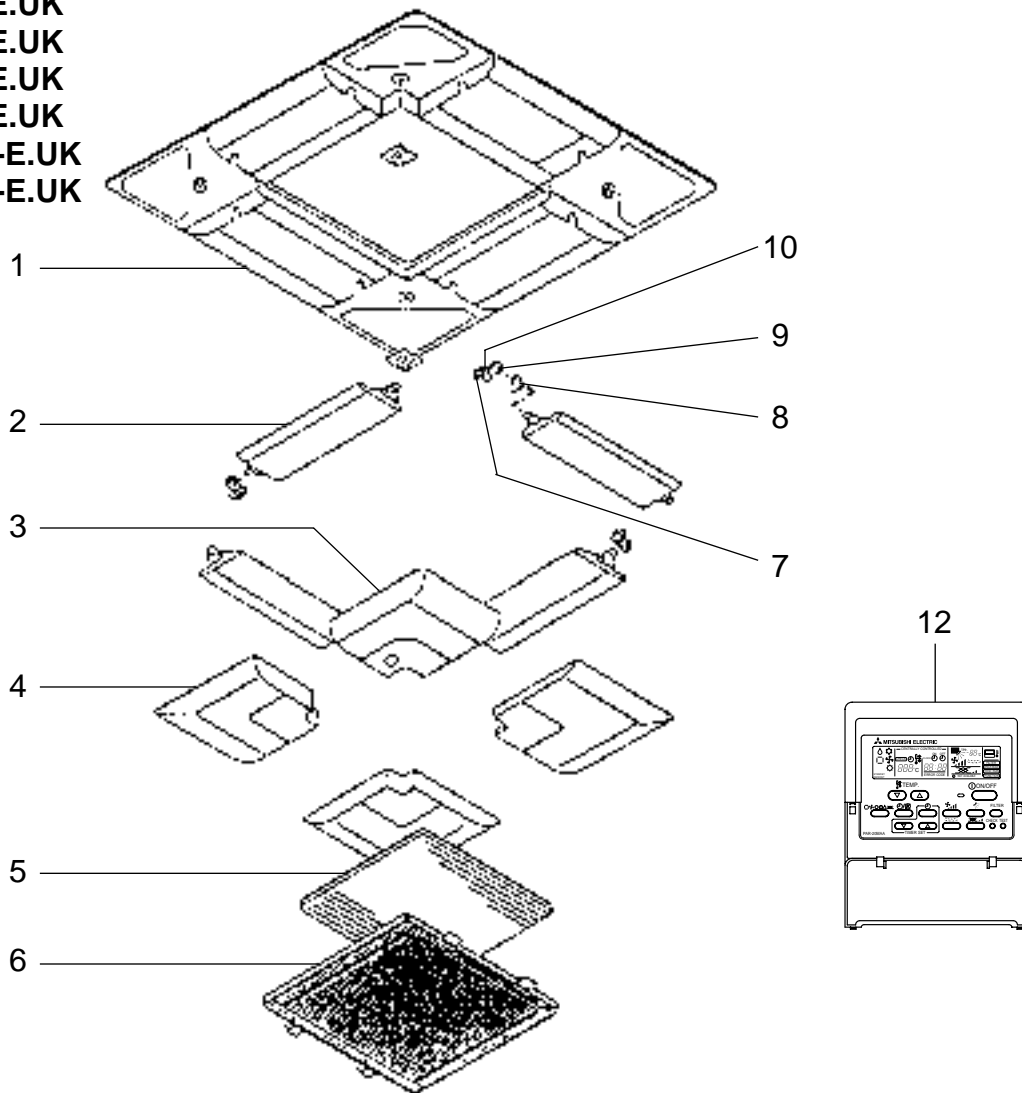
INDOOR UNIT

CONTENTS

1. SAFETY PRECAUTION.....	2
2. PART NAMES AND FUNCTIONS	6
3. SPECIFICATION	8
4. 4-WAY AIR FLOW SYSTEM	11
5. OUTLINES AND DIMENSIONS.....	14
6. WIRING DIAGRAM	15
7. REFRIGERANT SYSTEM DIAGRAM	16
8. TROUBLE SHOOTING	17
9. DISASSEMBLY PROCEDURE.....	24
10. PARTS LIST.....	27
11. OPTIONAL PARTS.....	Back cover

PANEL PARTS

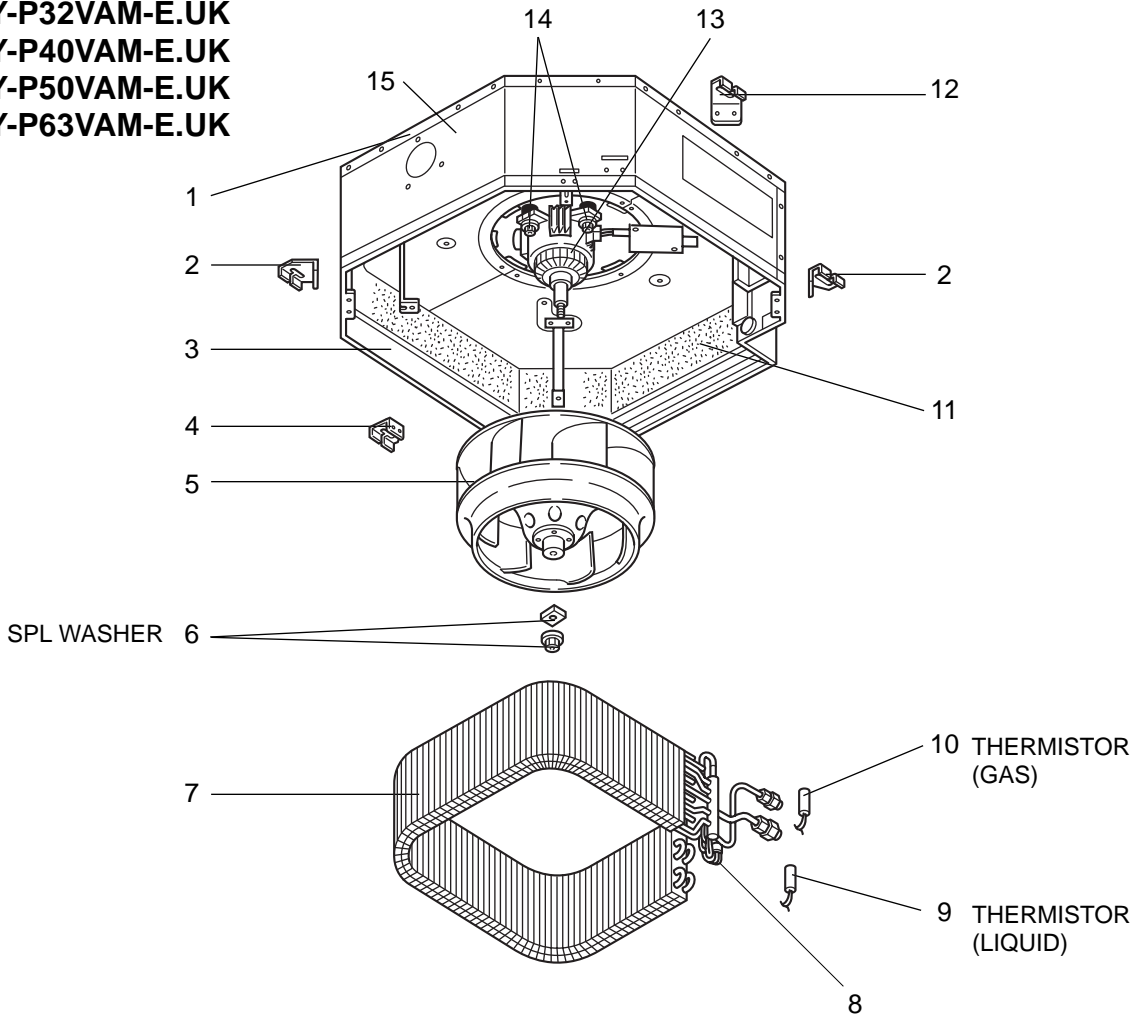
- PLFY-P32VAM-E.UK
- PLFY-P40VAM-E.UK
- PLFY-P50VAM-E.UK
- PLFY-P63VAM-E.UK
- PLFY-P80VAM-E.UK
- PLFY-P100VAM-E.UK
- PLFY-P125VAM-E.UK



Part number that is circled is not shown in the figure.

No.	Part No.	Part Name	Specification	Q'ty/set	Remarks (Drawing No.)	Wiring Diagram Symbol	Recom- mended Q'ty	Price	
				PLFY- P32, P40, P50, P63 P80, P100, P125 VAM-E.UK				Unit	Amount
1	S70 E10 003	AIR OUTLET GRILLE		1					
2	S70 E00 002	AUTO VANE		4					
3	S70 E01 638	CORNER PANEL		1					
4	S70 E00 638	CORNER PANEL		3					
5	S70 E00 500	L.L. FILTER		1					
6	S70 E00 691	GRILLE ASSY		1					
7	S70 E00 223	VANE MOTOR		4		MV			
8	S70 E00 063	VANE BUSH		8					
9	S70 E00 040	GEAR (VANE)		4					
10	S70 E01 040	GEAR (MOTOR)		4					
⑪	S70 E01 673	SCREW ASSY		1					
12	S70 030 713	REMOTE CONTROLLER	PAR-20MAA	1		R.B			

FUNCTIONAL PARTS
PLFY-P32VAM-E.UK
PLFY-P40VAM-E.UK
PLFY-P50VAM-E.UK
PLFY-P63VAM-E.UK



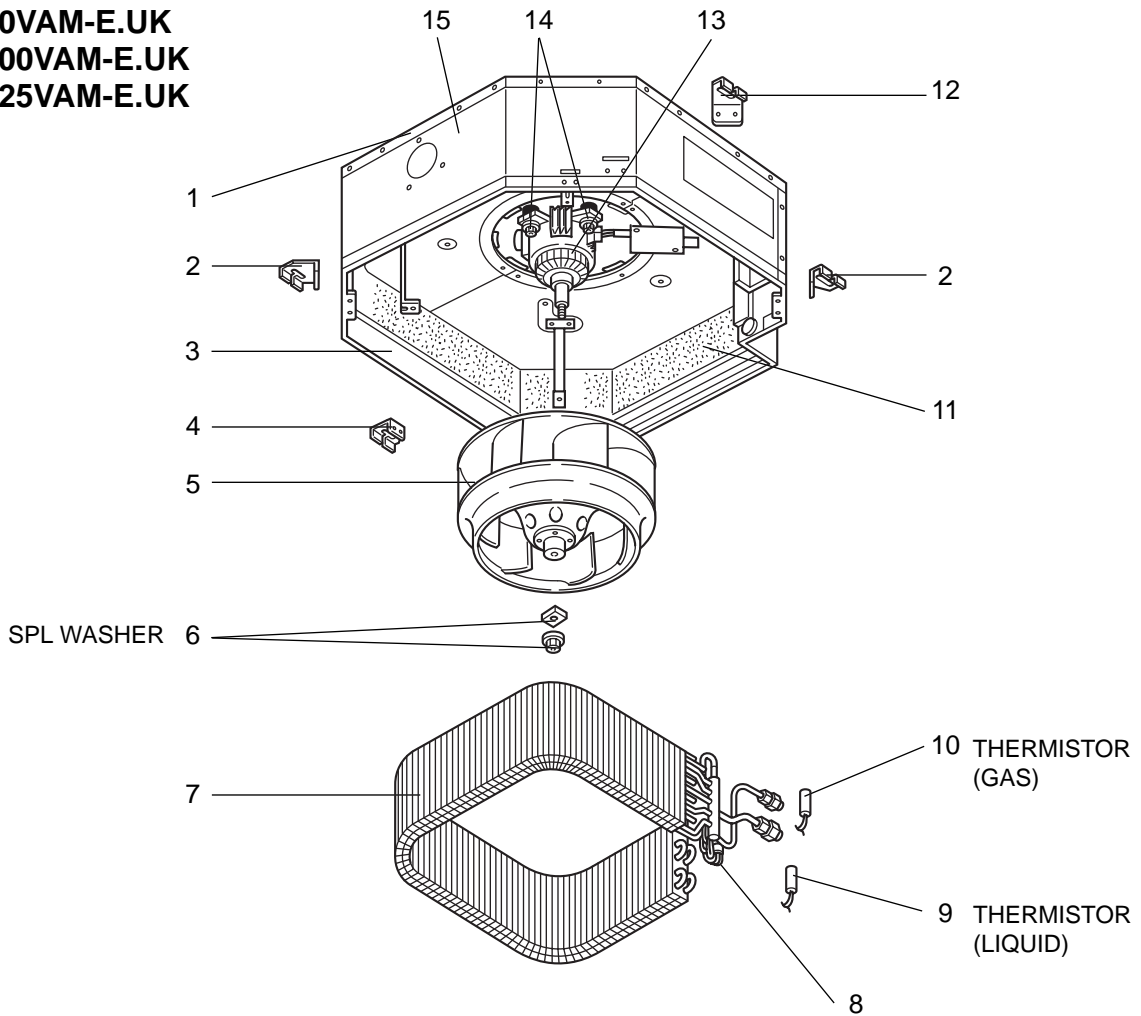
No.	Parts No.	Parts Name	Specifi- cation	Q'ty / set				Remarks (Drawing No.)	Wiring Diagram Symbol	Recom- mended Q'ty	Price	
				PLFY- . VAM-E.UK							Unit	Amount
				P32	P40	P50	P63					
1	S70 003 687	BASE DWG		1	1	1	1					
2	S70 E01 130	LEG		2	2	2	2					
3	S70 005 688	DRUM 1 ASSY		1	1	1	1					
4	S70 E00 130	LEG		1	1	1	1					
5	S70 E00 114	TURBO FAN		1	1	1	1					
6	S70 08K 097	SPL WASHER		1	1	1	1					
7	S70 E60 480	HEAT EXCHANGER		1								
	S70 E61 480	HEAT EXCHANGER			1							
	S70 E62 480	HEAT EXCHANGER				1						
	S70 E63 480	HEAT EXCHANGER					1					
8	S70 E60 401	LINEAR EXPANSION VALVE		1	1	1	1		LEV			
9	S70 17J 202	THERMISTOR (LIQUID)		1	1	1	1		TH22			
10	S70 79N 202	THERMISTOR (GAS)		1	1	1	1		TH23			
11	S70 E00 659	INNER COVER ASSY		1	1	1	1					
12	S70 E02 130	LEG		1	1	1	1					
13	S70 E06 762	FAN MOTOR	D17B6P70MS	1	1	1	1		MF			
14	S70 A41 105	MOTOR MOUNT		4	4	4	4					
15	S70 006 688	DRUM 2 ASSY		1	1	1	1					

FUNCTIONAL PARTS

PLFY-P80VAM-E.UK

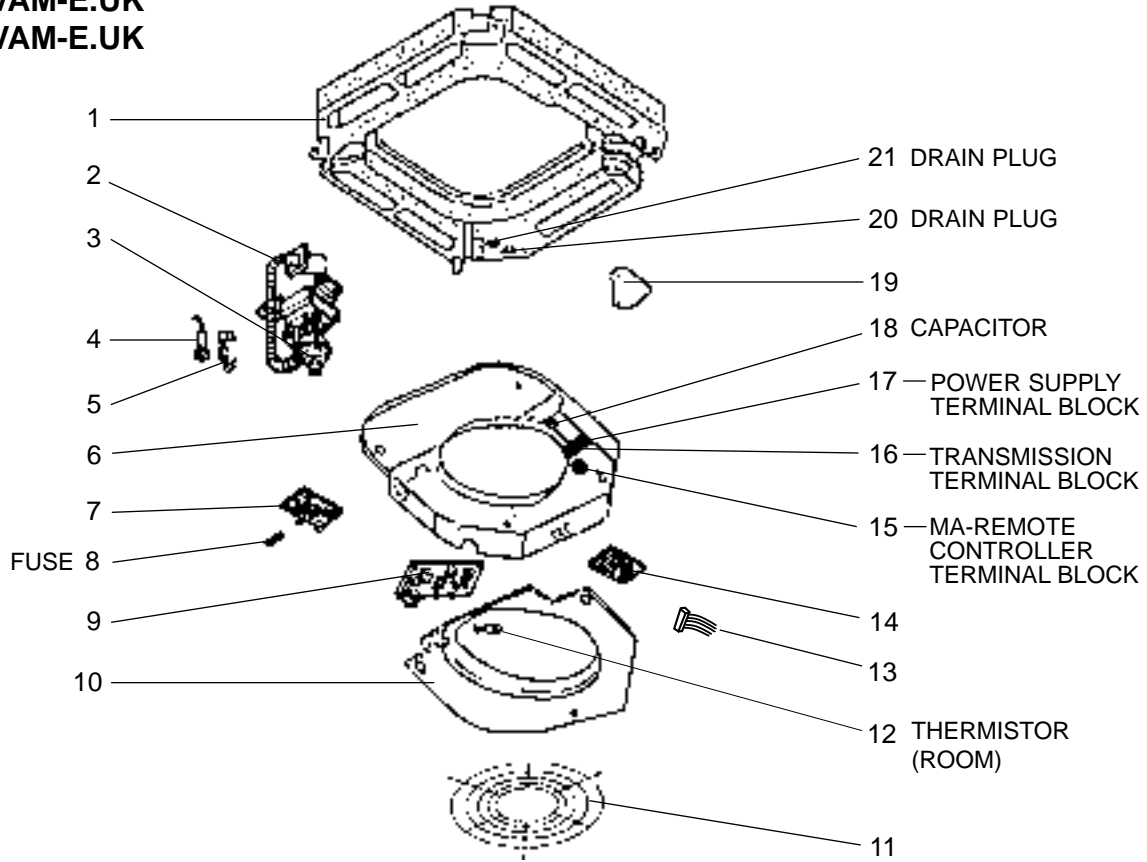
PLFY-P100VAM-E.UK

PLFY-P125VAM-E.UK



No.	Parts No.	Parts Name	Specifi- cation	Q'ty / set			Remarks (Drawing No.)	Wiring Diagram Symbol	Recom- mended Q'ty	Price	
				PLFY - VAM-E.UK						Unit	Amount
				P80	P100	P120					
1	S70 003 687	BASE DWG		1	1	1					
2	S70 E01 130	LEG		2	2	2					
3	S70 005 688	DRUM 1 ASSY		1							
	S70 007 688	DRUM 1 ASSY			1	1					
4	S70 E00 130	LEG		1	1	1					
5	S70 E00 114	TURBO FAN		1							
	S70 E01 114	TURBO FAN			1	1					
6	S70 08K 097	SPL WASHER		1	1	1					
7	S70 E64 480	HEAT EXCHANGER		1							
	S70 E65 480	HEAT EXCHANGER			1	1					
8	S70 E70 401	LINEAR EXPANSION VALVE		1	1	1		LEV			
9	S70 17J 202	THERMISTOR (LIQUID)		1	1	1		TH22			
10	S70 79N 202	THERMISTOR (GAS)		1	1	1		TH23			
11	S70 E00 659	INNER COVER ASSY		1							
	S70 E02 659	INNER COVER ASSY			1	1					
12	S70 E02 130	LEG		1	1	1					
13	S70 E06 762	FAN MOTOR	D17B6P70MS	1				MF			
	S70 E07 762	FAN MOTOR	D176P120MS		1	1		MF			
14	S70 A41 105	MOTOR MOUNT		4	4	4					
15	S70 006 688	DRUM 2 ASSY		1							
	S70 008 688	DRUM 2 ASSY			1	1					

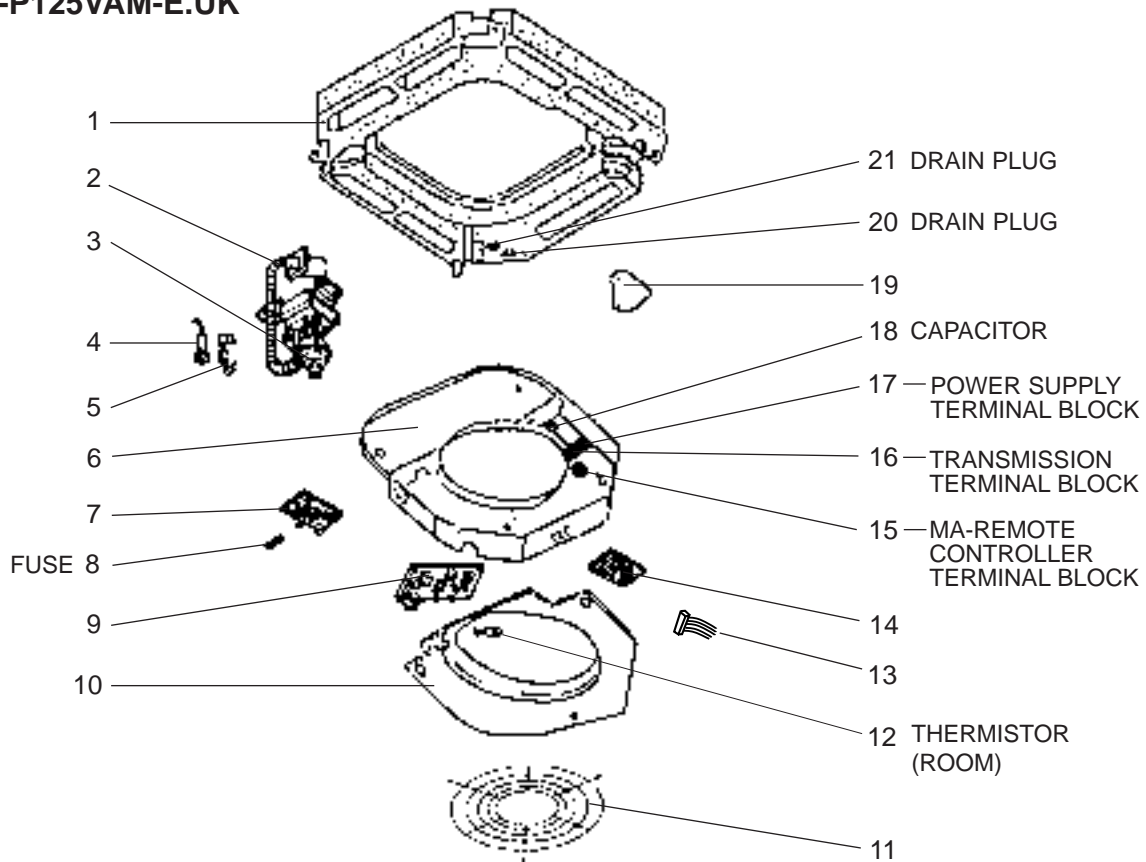
FUNCTIONAL PARTS
PLFY-P32VAM-E.UK
PLFY-P40VAM-E.UK
PLFY-P50VAM-E.UK
PLFY-P63VAM-E.UK



Part numbers that is circled is not shown in the figure.

No.	Parts No.	Parts Name	Specifi- cation	Q'ty / set		Remarks (Drawing No.)	Wiring Diagram Symbol	Recom- mended Q'ty	Price	
				PLFY- . VAM-E.UK	P32, P40, P50, P63				Unit	Amount
1	S70 E02 529	DRAIN PAN			1					
2	S70 A41 523	DRAIN SOCKET			1					
3	S70 E01 355	DRAIN PUMP			1		DP			
4	S70 E00 266	DRAIN SENSOR			1		DS			
5	S70 31K 241	DRAIN SENSOR HOLDER			1					
6	S70 E00 503	CONTROL BOX			1					
7	S70 E20 313	POWER BOARD			1		P.B			
8	S70 520 239	FUSE	6.3A 250V		1		FUSE			
9	S70 E35 310	INDOOR CONTROLLER BOARD			1		I.B			
10	S70 003 503	CONTROL COVER ASSY			1					
11	S70 E10 675	FAN GUARD			1					
12	S70 E00 202	THERMISTOR (ROOM)			1		TH21			
13	S70 E00 304	ADDRESS CABLE			1					
14	S70 B02 294	ADDRESS BOARD			1		A.B			
15	S70 572 716	MA-REMOTE CONTROLLER TERMINAL BLOCK	2P(1, 2)		1		TB15			
16	S70 B02 716	TRANSMISSION TERMINAL BLOCK	(M1, M2, S)		1		TB5			
17	S70 512 716	POWER SUPPLY TERMINAL BLOCK	(L, N, E)		1		TB2			
18	S70 576 255	FAN MOTOR CAPACITOR	3.0 μ F 440V		1		C			
19	S70 001 663	CORNER COVER			1					
20	S70 A48 524	DRAIN PLUG			1					
21	S70 A41 524	DRAIN PLUG			1					

FUNCTIONAL PARTS
PLFY-P80VAM-E.UK
PLFY-P100VAM-E.UK
PLFY-P125VAM-E.UK



Part numbers that is circled is not shown in the figure.

No.	Parts No.	Parts Name	Specifi- cation	Q'ty / set		Remarks (Drawing No.)	Wiring Diagram Symbol	Recom- mended Q'ty	Price	
				PLFY - VAM-E.UK					Unit	Amount
				P80	P100, P125					
1	S70 E02 529	DRAIN PAN		1						
	S70 E00 529	DRAIN PAN			1					
2	S70 A41 523	DRAIN SOCKET		1	1					
3	S70 E01 355	DRAIN PUMP		1	1		DP			
4	S70 E00 266	DRAIN SENSOR		1	1		DS			
5	S70 31K 241	DRAIN SENSOR HOLDER		1	1					
6	S70 E00 503	CONTROL BOX		1	1					
7	S70 E02 313	POWER BOARD		1	1		P.B			
8	S70 520 239	FUSE	6.3A 250V	1	1		FUSE			
9	S70 E35 310	INDOOR CONTROLLER BOARD		1	1		I.B			
10	S70 003 503	CONTROL COVER ASSY		1	1					
11	S70 E10 675	FAN GUARD		1	1					
12	S70 E00 202	THERMISTOR (ROOM)		1	1		TH21			
13	S70 E00 304	ADDRESS CABLE		1	1					
14	S70 B02 294	ADDRESS BOARD		1	1		A.B			
15	S70 572 716	MA-REMOTE CONTROLLER TERMINAL BLOCK	2P(1, 2)	1	1		TB15			
16	S70 B02 716	TRANSMISSIONTERMINAL BLOCK	(M1, M2, S)	1	1		TB2			
17	S70 512 716	POWER SPPLY TERMINAL BLOCK	(L, N, E)	1	1		TB5			
18	S70 17T 255	FAN MOTOR CAPACITOR	3.5 μ F 440V	1			C			
	S70 E02 255	FAN MOTOR CAPACITOR	7.0 μ F 440V		1		C			
19	S70 001 663	CORNER COVER		1	1					
20	S70 A48 524	DRAIN PLUG		1	1					
21	S70 A41 524	DRAIN PLUG		1	1					

11**OPTIONAL PARTS****11-1. Multi function casement**

Part No.	PAC-SG03TM-E
----------	--------------

11-2. Air outlet shutter plate (20 sets)

Part No.	PAC-SG06SP-E
----------	--------------

11-3. High efficiency filter (PAC-SG03TM-E is required in using this optional part.)

Part No.	PAC-SG01KF
----------	------------